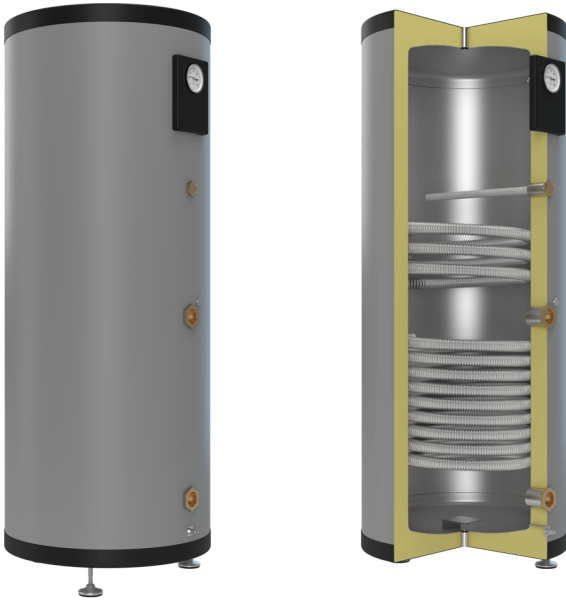


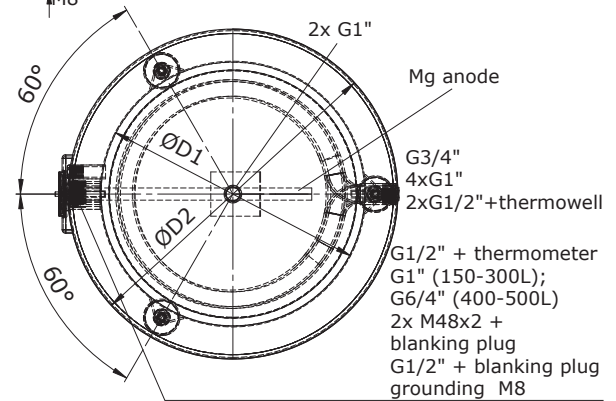
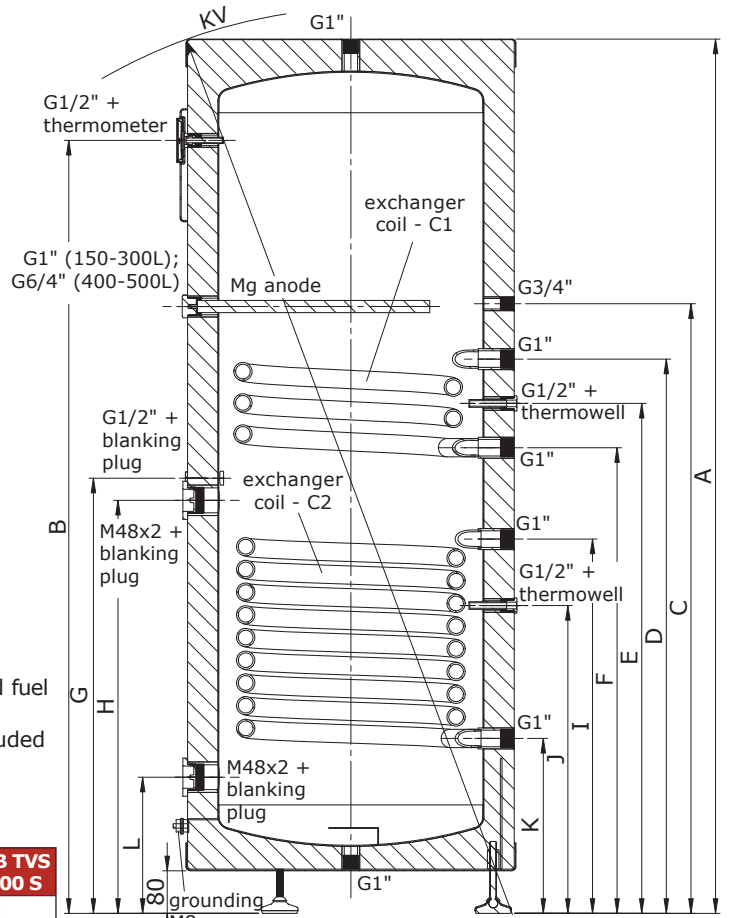
NB TVS S - Indirect heating within 2 exchanger coils



- For the preparation of DHW
- Indirect heating with two exchangers using two heat sources (solid fuel boiler, gas boiler, solar system)
- High-quality solid insulation made of hardened PUR foam is included
- An electric heating unit can be mounted into the M48x2 nozzle
- Magnesium anode protection is included

Model	NB TVS 200 S	NB TVS 250 S	NB TVS 300 S	NB TVS 400 S	NB TVS 500 S
Material (tank/C1/C2)	AISI 316L / AISI 316L / AISI 316L				
Max. op. press. (tank/C1/C2) [bar]	10 / 10 / 10				
Max. op. temp. (tank / C1/C2) [°C]	80 / 100 / 100				
Heat transfer surface C1/C2 [m²]	0.5/1.0	0.5/1.5	0.5/1.5	1.0/2.0	1.0/2.0
Heating power C1/C2 [kW]*	24/39	24/51	24/51	39/61	39/61
Heating time C1/C2 [min]*	13/15	15/14	18/17	15/20	18/23
Insul. thickness [mm]	57	57	57	50	50
Temp. loss with insul. in 24 hours [°C]	5.5	5.0	5.0	4.5	4.5
Standing loss with insulation [W]	50.3	59.0	67.4	85.7	97.2
Energy efficiency class	B	B	B	C	C
Warranty	10 years				

*Note: It was measured at a heating water temperature of 80 °C and a flow rate of 2.5 m³/h. This involves heating of DHW from 10 °C to 55 °C.



Model		NB TVS 200 S	NB TVS 250 S	NB TVS 300 S	NB TVS 400 S	NB TVS 500 S
Order number		281020	281025	281030	281040	281050
Volume	V [L]	191	233	278	387	456
Diameter without ins.	ØD1 [mm]	480	480	480	600	600
Diameter with ins.	ØD2 [mm]	595	595	595	700	700
Tilting height	KV [mm]	1 405	1 645	1 885	1 790	2 030
Total height	A [mm]	1 330	1 580	1 830	1 705	1 955
	B [mm]	1 150	1 400	1 650	1 455	1 655
	C [mm]	940	1 100	1 100	1 230	1 255
	D [mm]	885	1 005	1 005	1 140	1 140
	E [mm]	805	925	925	1 040	1 040
	F [mm]	725	845	845	940	940
	G [mm]	675	795	795	890	890
	H [mm]	630	750	750	845	845
	I [mm]	560	680	680	775	775
	J [mm]	480	560	560	615	615
	K [mm]	320	320	320	375	375
	L [mm]	250	250	250	305	305
Net weight incl. ins.	m [kg]	51	60	68	90	100