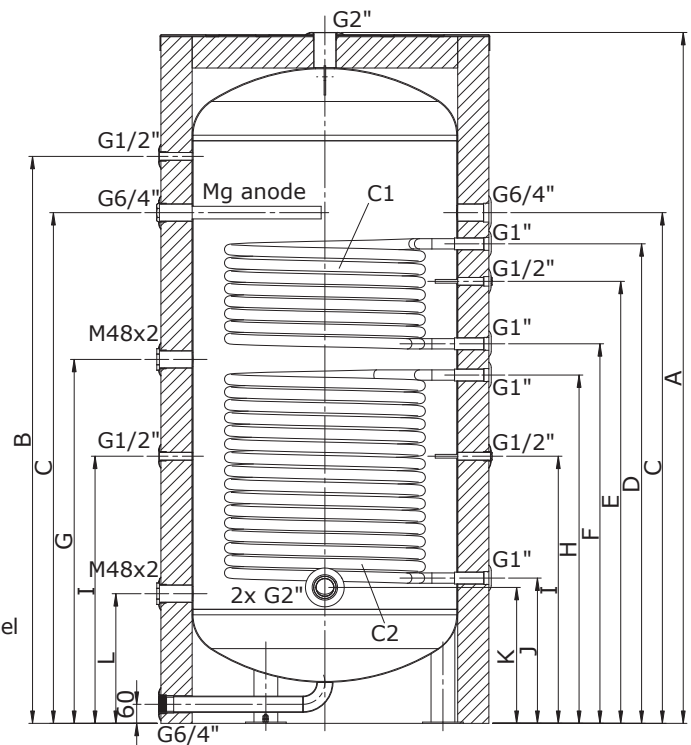
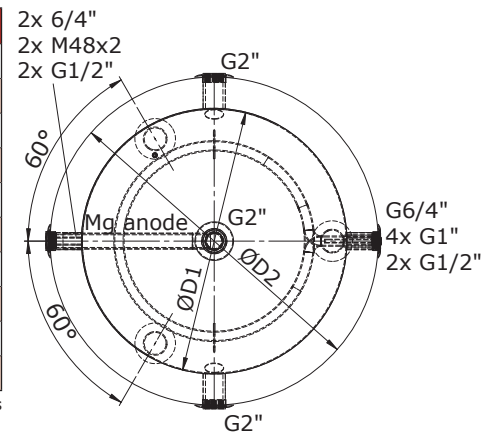


NB TVS S - Indirect heating within 2 exchanger coils



- For the preparation of DHW
- Indirect heating with two exchangers using two heat sources (solid fuel boiler, gas boiler, solar system)
- High-quality insulation SYMBIO 100 mm is included
- An electric heating unit can be mounted into the M48x2 nozzle
- Magnesium anode protection is included

Model	NB TVS 750 S	NB TVS 850 S	NB TVS 1000 S
Material (tank/C1/C2)	AISI 316L / AISI 316L / AISI 316L		
Max. op. press. (tank/C1/C2) [bar]	10 / 10 / 10		
Max. op. temp. (tank / C1/C2) [°C]	100 / 110 / 110		
Heat transfer surface C1/C2 [m²]	2.3 / 3.0	2.3 / 3.0	2.3 / 4.5
Heating power C1/C2 [kW]*	65 / 74	65 / 74	65 / 92
Heating time C1/C2 [min]*	33 / 29	38 / 34	47 / 33
Insul. thickness / Nozzle lenght [mm]	100 / 105		
Temp. loss with insul. in 24 hours [°C]	3	2.5	2.5
Standing loss with insulation [W]	96	108	121
Warranty	5 years		



*Note: It was measured at a heating water temperature of 80 °C and a flow rate of 2.5 m³/h. This involves heating of DHW from 10 °C to 55 °C.

Model		NB TVS 750 S	NB TVS 850 S	NB TVS 1000 S
Order number		281075	281085	281100
Volume	V [L]	694	815	988
Diameter without ins.	ØD₁ [mm]	790	790	850
Diameter with ins.	ØD₂ [mm]	990	990	1 050
Total height	A [mm]	1 840	2 090	2 210
	B [mm]	1 505	1 755	1 815
	C [mm]	1 405	1 405	1 635
	D [mm]	1 305	1 305	1 535
	E [mm]	1 185	1 185	1 415
	F [mm]	985	985	1 215
	G [mm]	935	935	1 165
	H [mm]	885	885	1 115
	I [mm]	725	725	855
	J [mm]	405	405	465
	K [mm]	375	375	435
	L [mm]	355	355	415
Net weight incl. ins.	m [kg]	147	161	181