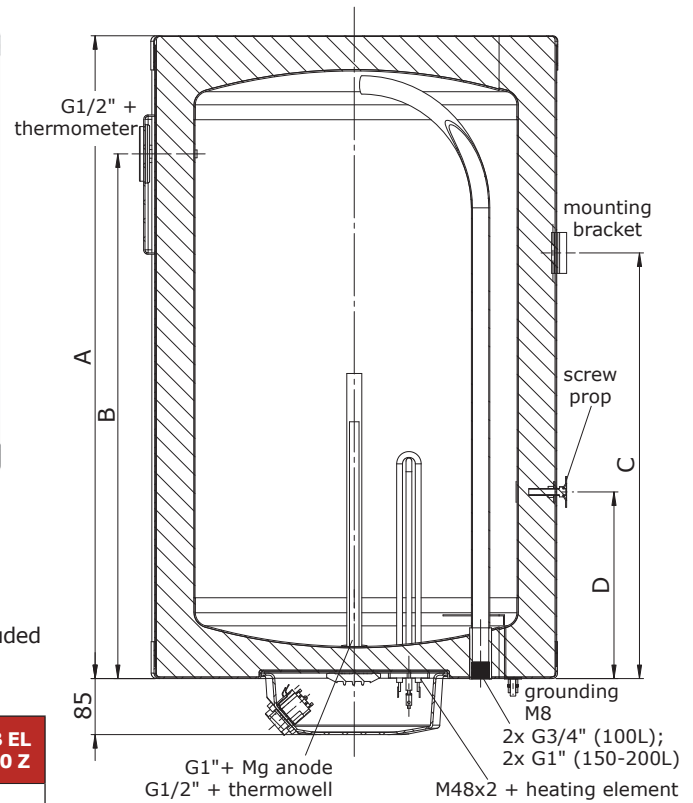
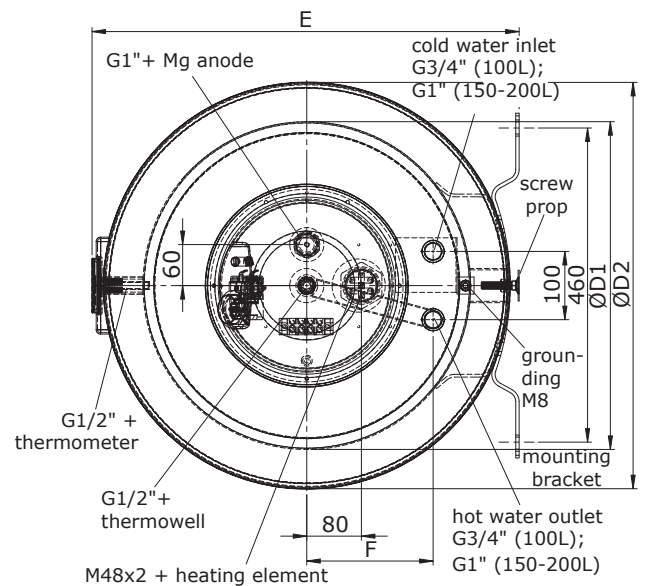


## NB EL Z - Electric direct heating, hanging



- For the preparation of DHW
- Electric heating including regulation
- Ingress protection IP-45
- High-quality solid insulation made of hardened PUR foam is included
- Magnesium anode protection is included

Model	NB EL 50 Z	NB EL 100 Z	NB EL 125 Z	NB EL 150 Z	NB EL 200 Z
<b>Material</b>	AISI 316L				
<b>Max. operating pressure [bar]</b>	10				
<b>Max. operating temperature [°C]</b>	80				
<b>Insulation thickness [mm]</b>	50	50	50	57	57
<b>Electric heating power input [kW]</b>	2.4				
<b>Electric heating time 10/55 °C [h]</b>	1.5	2.0	2.5	3.5	4.5
<b>Temperature loss with insulation in 24 hours [°C]</b>	8.5	7.5	7.0	5.5	5.5
<b>Standing loss with insulation [W]</b>	25.0	34.3	40.0	40.8	50.3
<b>Energy efficiency class</b>	A	A	B	B	B
<b>Warranty</b>	10 years				



Model		NB EL 50 Z	NB EL 100 Z	NB EL 125 Z	NB EL 150 Z	NB EL 200 Z
<b>Order number</b>		<b>213005</b>	<b>213010</b>	<b>213013</b>	<b>213015</b>	<b>213020</b>
<b>Volume</b>	<b>V [L]</b>	60	94	113	153	198
<b>Diameter without insul.</b>	<b>ØD1 [mm]</b>	365	365	365	480	480
<b>Diameter with insul.</b>	<b>ØD2 [mm]</b>	470	470	470	595	595
<b>Total height</b>	<b>A [mm]</b>	710	1 045	1 210	1 020	1 270
	<b>B [mm]</b>	555	890	1 055	830	1 080
	<b>C [mm]</b>	505	790	905	760	960
	<b>D [mm]</b>	205	290	305	260	360
	<b>E [mm]</b>	550	550	550	680	680
	<b>F [mm]</b>	150	150	150	180	180
<b>Net weight incl. insul.</b>	<b>m [kg]</b>	25	32	36	41	49