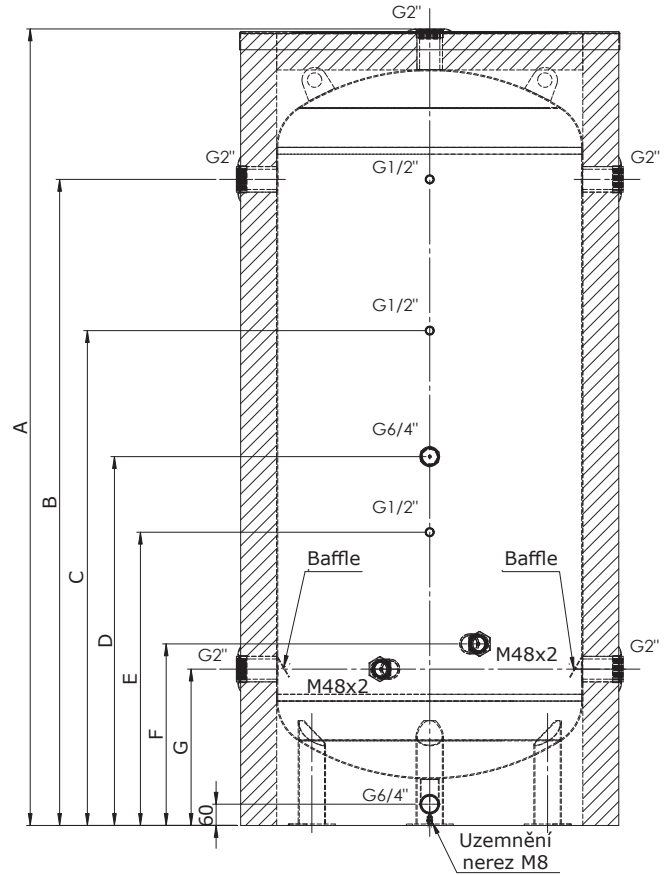
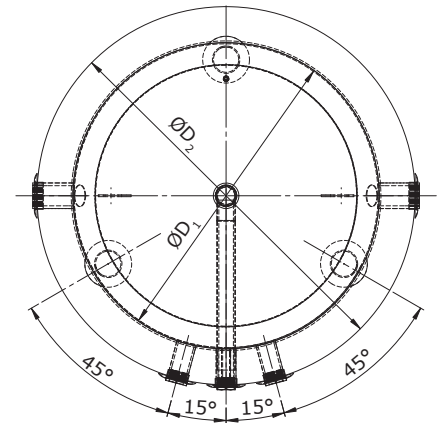


AZN VS



- For the preparation of DHW
- Types: 500, 750, 1000
- Storage tank in exchange or transfer stations
- High-quality insulation SYMBIO 100 mm is included
- An electric heating unit can be mounted into the M48x2 nozzle
- Magnesium anode protection is included

Model	AZN VS 750	AZN VS 850	AZN VS 1 000
Material	AISI 316L		
Max. operating pressure [bar]	10		
Max. operating temperature [°C]	100		
Insulation thickness / Nozzle lenght [mm]	100 / 105		
Temperature loss with insulation in 24 hours [°C]	3	2.5	2.5
Standing loss with insulation [W]	96	108	121
Warranty	5 years		



Model		AZN VS 750	AZN VS 850	AZN VS 1 000
Order number		101075VS	101085VS	101100VS
Volume	V [L]	718	838	1 015
Diameter without insulation	ØD₁ [mm]	790	790	850
Diameter with insulation	ØD₂ [mm]	990	990	1 050
Total height	A [mm]	1 840	2 090	2 210
	B [mm]	1 620	1 400	1 670
	C [mm]	1 510	1 290	1 560
	D [mm]	920	825	970
	E [mm]	440	470	490
	F [mm]	330	360	380
	G [mm]	220	250	270
Net weight incl. insulation	m [kg]	139	153	173