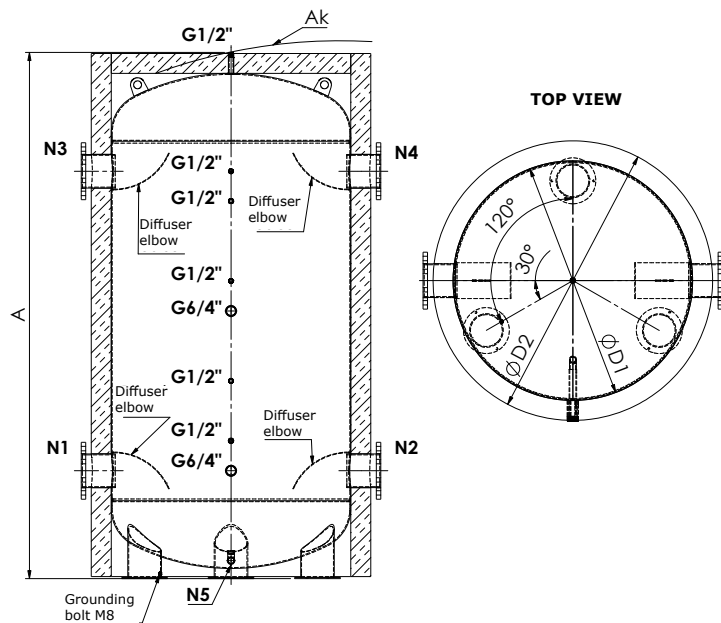
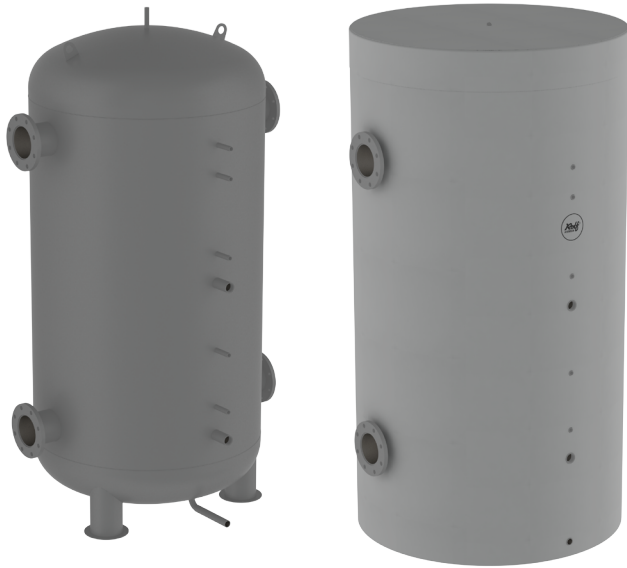


Type - AKU VS / 6 bar buffer tank for heating and cooling systems with high flow rates



- Buffer tank for heating and cooling systems
- Floor-standing design
- Volumes: 500 - 10 000 liters
- Optional accessory: high-quality thermal insulation ROLFIZOL 100 mm
- The tank is internally equipped with diffusion elbows for efficient medium stratification and full volume utilization

Technical Specification of the Tank:

- Tank material: carbon steel
- External surface finish: grey primer RAL 7035
- Maximum operating pressure: 6 bar
- Maximum operating temperature: 100 °C
- Length of flanged nozzles: 150 mm
- Connecting flanges according to EN 1092-1 / PN 16
- All threaded nozzles are equipped with G-type female threads
- Warranty: 24 months

Thermal Insulation of the Tank (optional accessory):

ROLFIZOL 100 PE fleece with zipped PVC jacket (removable version)

Technical Specification of the Insulation:

- Standard insulation thickness: 100 mm
- Material: PES (polyester) fleece
- Outer surface: soft PVC foil in grey (standard)
- Fire resistance: E (according to EN 13501-1+A1)
- Maximum long-term/short-term operating temperature: 100/150 °C
- Thermal conductivity coefficient: 0.037 W/mK
- Energy efficiency class: C

Dimension table

Model	Order Code	Total Vol. (liters)	ØD1 (mm)	ØD2 (mm)	A (mm)	Ak (mm)	N1-N4	N5	Weight (kg)	Stat. Loss (W)	Energy Class
AKU VS 500 / 6 bar	104050	475	600	800	1 933	1 960	DN80	G¾"	120	85	C
AKU VS 600 / 6 bar	104060	613	600	800	2 433	2 460	DN80	G¾"	140	94	C
AKU VS 750 / 6 bar	104075	725	790	990	1 760	1 800	DN80	G¾"	135	98	C
AKU VS 850 / 6 bar	104085	845	790	990	2 010	2 050	DN80	G¾"	150	102	C
AKU VS 1000/ 6 bar	104101	1 025	790	990	2 385	2 420	DN 100	G¾"	170	117	C
AKU VS 1000 / 6 bar*	104100	1 025	850*	1 050	2 123	2 160	DN 100	G¾"	175	112	C
AKU VS 1250 / 6 bar	104125	1 252	950	1 150	2 076	2 120	DN 125	G¾"	248	128	C
AKU VS 1500 / 6 bar	104151	1 601	950	1 150	2 576	2 610	DN 125	G¾"	310	158	C
AKU VS 1500 / 6 bar*	104150	1 500	1 000*	1 200	2 245	2 280	DN 125	G¾"	295	147	C
AKU VS 2000 / 6 bar	104201	2 080	1 000	1 200	2 995	3 030	DN 150	G¾"	385	180	C
AKU VS 2000 / 6 bar*	104200	2 230	1 200*	1 400	2 335	2 380	DN 150	G¾"	451	189	C
AKU VS 2500 / 6 bar	104250	2 560	1 200	1 400	2 635	2 670	DN 150	G1"	496	---	---
AKU VS 3000 / 6 bar	104301	3 060	1 200	1 400	3 085	3 120	DN 200	G1"	566	---	---
AKU VS 3000 / 6 bar*	104300	3 138	1 400*	1 600	2 437	2 490	DN 200	G1"	566	---	---
AKU VS 3500 / 6 bar	104350	3 670	1 400	1 600	2 787	2 840	DN 200	G1"	626	---	---
AKU VS 4000 / 6 bar	104402	4 165	1 200	1 400	4 085	4 120	DN 200	G1"	736	---	---
AKU VS 4000 / 6 bar*	104400	4 276	1 400*	1 600	3 187	3 230	DN 200	G1"	706	---	---
AKU VS 4000 / 6 bar**	104401	4 140	1 600**	1 800	2 526	2 590	DN 200	G1"	615	---	---
AKU VS 4500 / 6 bar	104450	4 665	1 400	1 600	3 437	3 480	DN 200	G1"	736	---	---
AKU VS 4500 / 6 bar*	104451	4 637	1 600*	1 800	2 776	2 840	DN 200	G1"	665	---	---
AKU VS 5000 / 6 bar	104501	5 015	1 400	1 600	3 687	3 730	DN 200	G1"	781	---	---
AKU VS 5000 / 6 bar*	104500	5 134	1 600*	1 800	3 026	3 080	DN 200	G1"	710	---	---
AKU VS 6000 / 6 bar	104600	6 127	1 600	1 800	3 526	3 580	DN 200	G1"	820	---	---
AKU VS 6500 / 6 bar	104650	6 623	1 600	1 800	3 776	3 860	DN 200	G1"	865	---	---
AKU VS 7000 / 6 bar	104700	7 120	1 600	1 800	4 026	4 080	DN 200	G1"	920	---	---
AKU VS 8000 / 6 bar	104801	8 113	1 600	1 800	4 526	4 580	DN 200	G1"	1 020	---	---
AKU VS 8000 / 6 bar*	104800	7 912	1 800*	2 000	3 622	3 680	DN 200	G1"	1 082	---	---
AKU VS 10000 / 6 bar	104108	10 424	1 800	2 000	4 622	4 670	DN 200	G1"	1 350	---	---
AKU VS 10000 / 6 bar*	104109	9 988	2 000*	2 200	3 713	3 780	DN 200	G1"	1 230	---	---

*(**) Alternative capacities with different diameters available. Tank dimensions are informative, subject to change without notice.