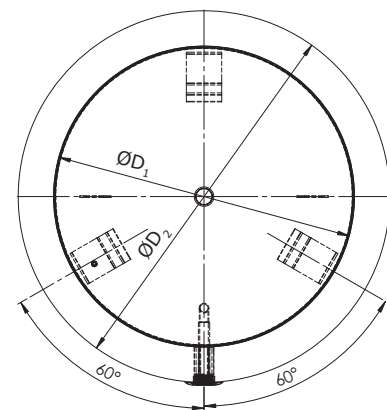
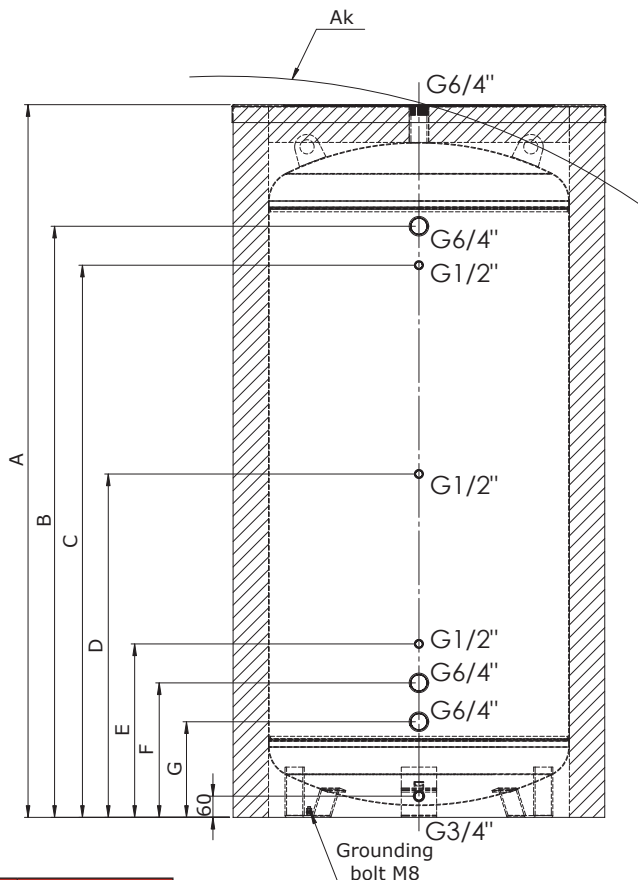


AKU VS



- Without DHW preparation
- Types: 500, 750, 1000
- Buffer tank for heating systems
- High-quality insulation SYMBIO 100 mm is included
- An electric heating unit can be mounted into the G6/4" nozzle



Model	AKU VS 500	AKU VS 750	AKU VS 1 000
Material	S235JR		
Max. operating pressure [bar]	3		
Max. operating temperature [°C]	100		
Insulation thickness / Nozzle lenght [mm]	100 / 105		
External surface	Anti-corrosion coating		
Internal surface	Without modification		
Temperature loss with insulation in 24 hours [°C]	3.5	3	2.5
Standing loss with insulation [W]	80	96	121
Warranty	5 years		

Model		AKU VS 500	AKU VS 750	AKU VS 1 000
Order number		107050V	107075V	107100V
Volume	V [L]	472	722	986
Dia. without insulation	ØD₁ [mm]	600	790	850
Diameter with insulation	ØD₂ [mm]	800	990	1 050
Tilting height	Ak [mm]	1 924	1 749	2 032
Total height	A [mm]	1 915	1 730	2 015
	B [mm]	1 620	1 400	1 670
	C [mm]	1 510	1 290	1 560
	D [mm]	920	825	970
	E [mm]	440	470	490
	F [mm]	330	360	380
	G [mm]	220	250	270
Net weight incl. insulation	m [kg]	84	100	123