

## AKU ST

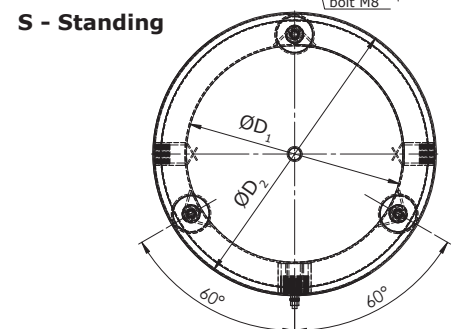
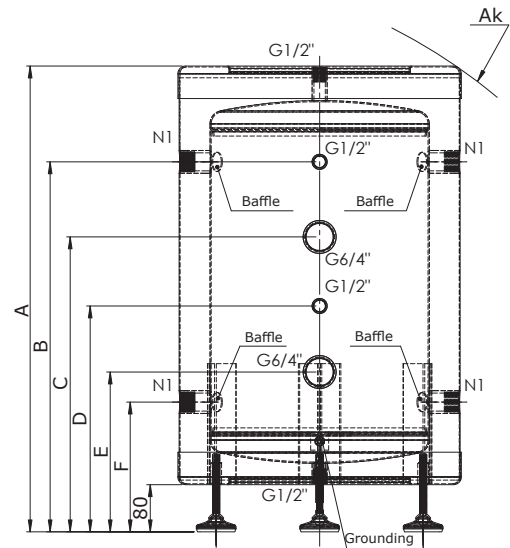
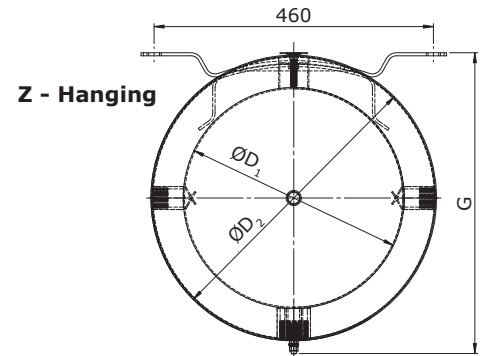
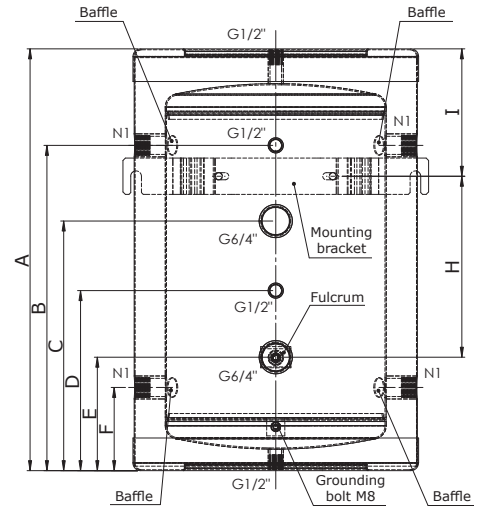
Z - Hanging



S - Standing



- Without DHW preparation
- Types: 50 Z, 50 S, 100 Z, 100 S
- Buffer tank for heating and cooling systems
- The tank is supplied with non-removable insulation (hard PUR foam)
- An electric heating unit can be mounted into the G6/4" nozzle



Model	AKU ST 50 Z	AKU ST 50 S	AKU ST 100 Z	AKU ST 100 S
Material	S235JR			
Max. operating pressure [bar]	6			
Max. operating temperature [°C]	90			
Insulation thickness [mm]	50	50	57	57
External / Internal surface	PUR insulation / Without modification			
Temperature loss in 24 hour [°C]	11.5	11.5	8.5	8.5
Standing loss [W]	32	32	41	41
Energy efficiency class	B	B	B	B
Warranty	5 years			

Model	AKU ST 50 Z	AKU ST 50 S	AKU ST 100 Z	AKU ST 100 S	
Order number	116005	114005	116010	114010	
Volume	V [L]	58	58	106	106
Dia. without insulation	ØD <sub>1</sub> [mm]	365	365	480	480
Dia. with insulation	ØD <sub>2</sub> [mm]	470	470	595	595
Tilting height	Ak [mm]	---	853	---	927
Total height	A [mm]	700	775	730	810
	B [mm]	540	615	555	635
	C [mm]	415	490	430	510
	D [mm]	300	375	315	395
	E [mm]	190	265	205	285
	F [mm]	140	215	155	235
	G [mm]	480	---	610	---
	H [mm]	300	---	300	---
	I [mm]	210	---	225	---
Nozzle size	N1	G1"	G1"	G5/4"	G5/4"
Net weight	m [kg]	23	23	32	32