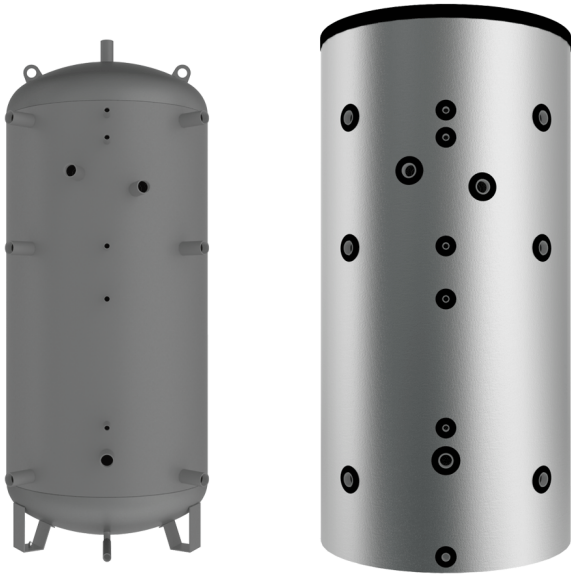
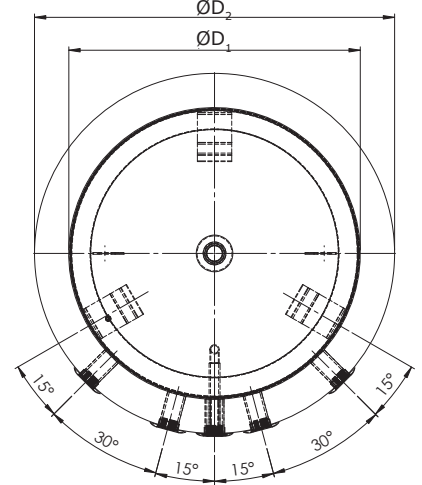
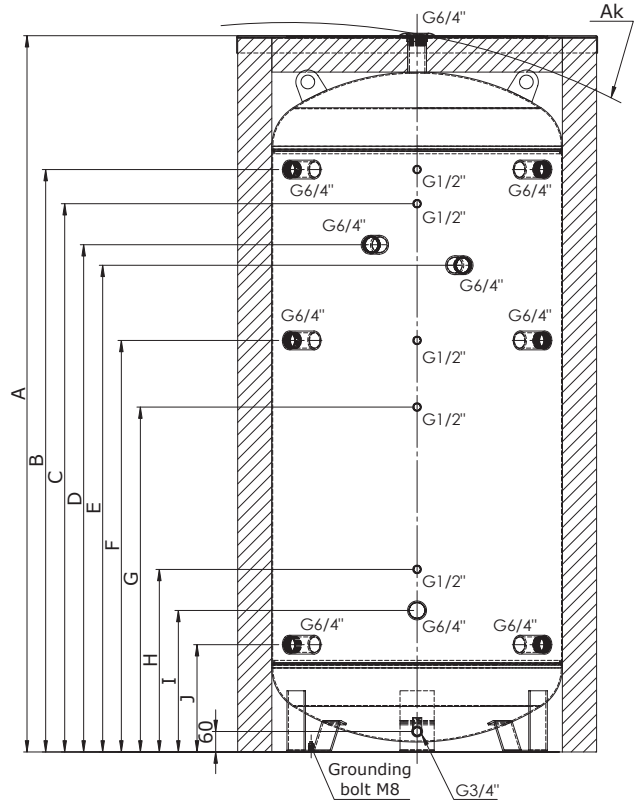


AKU ST



- Without DHW preparation
- Typy: 500, 750, 850, 1000, 1250, 1500, 2000
- Buffer tank for heating systems
- High-quality insulation SYMBIO 100 mm is included
- An electric heating unit can be mounted into the G6/4" nozzle



Model	AKU ST 500	AKU ST 750	AKU ST 850	AKU ST 1 000	AKU ST 1 250	AKU ST 1 500	AKU ST 2 000
Material	S235JR						
Max. operating pressure [bar]	3						
Max. operating temperature [°C]	100						
Insul. thickness / Nozzle lenght [mm]	100 / 105						
External surface	Anti-corrosion coating						
Internal surface	Without modification						
Temp. loss with insul. in 24 hours [°C]	3.5	3	3	2.5	2.5	2	2
Standing loss with insulation [W]	80	96	108	121	136	151	176
Warranty	5 years						

Model	AKU ST 500	AKU ST 750	AKU ST 850	AKU ST 1 000	AKU ST 1 250	AKU ST 1 500	AKU ST 2 000	
Order number	117050	117075	117085	117100	117125	117150	117200	
Volume	V [L]	472	717	837	1 019	1 243	1 478	2 083
Dia. without insul.	ØD ₁ [mm]	600	790	790	850	950	1 000	1 200
Dia. with insulation	ØD ₂ [mm]	800	990	990	1 050	1 150	1 200	1 400
Tilting height	Ak [mm]	1 926	1 749	1 997	2 114	2 067	2 237	2 196
Total height	A [mm]	1 915	1 730	1 980	2 095	2 045	2 215	2 165
	B [mm]	1 615	1 395	1 645	1 705	1 680	1 765	1 740
	C [mm]	1 515	1 295	1 545	1 605	1 580	1 665	1 640
	D [mm]	1 395	1 175	1 425	1 485	1 460	1 545	1 520
	E [mm]	1 335	1 115	1 365	1 425	1 400	1 485	1 460
	F [mm]	1 115	985	1 145	1 205	1 180	1 265	1 240
	G [mm]	920	825	950	1 010	985	1 070	1 045
	H [mm]	445	475	475	535	510	595	570
	I [mm]	325	355	355	415	390	475	450
	J [mm]	225	255	255	315	290	375	350
Net weight incl. insul.	m [kg]	87	128	142	159	193	215	284