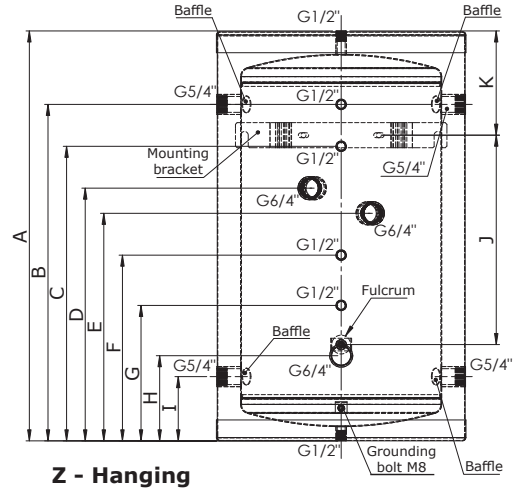


AKU ST

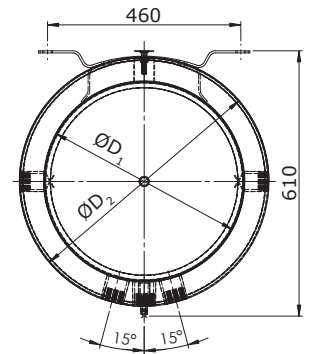
Z - Hanging



S - Standing

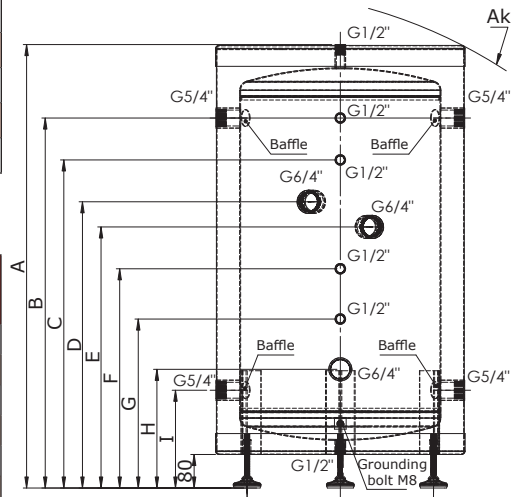


Z - Hanging

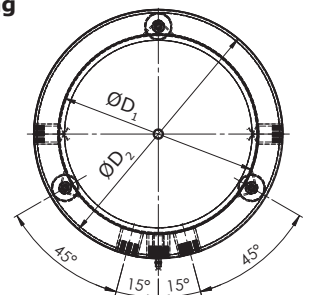


- Without DHW preparation
- Types: 150 Z, 150 S, 200 Z, 200 S, 300 S, 500 S
- Buffer tank for heating and cooling systems
- The tank is supplied with non-removable insulation (hard PUR foam)
- An electric heating unit can be mounted into the G6/4" nozzle

Model	AKU ST 150 Z	AKU ST 150 S	AKU ST 200 Z	AKU ST 200 S	AKU ST 300 S	AKU ST 500 S
Material	S235JR					
Max. operating pressure [bar]	6					
Max. operating temperature [°C]	90					
Insulation thickness [mm]	57	57	57	57	57	50
External / Internal surface	PUR insulation / Without modification					
Temperature loss in 24 hour [°C]	7.5	7.5	7	7	6.5	5
Standing loss [W]	52	52	63	63	90	110
Energy efficiency class	B	B	C	C	C	C
Warranty	5 years					



S - Standing



Model	AKU ST 150 Z	AKU ST 150 S	AKU ST 200 Z	AKU ST 200 S	AKU ST 300 S	AKU ST 500 S	
Order number	116015	114015	116020	114020	114030	114050	
Volume	V [L]	150	150	195	195	284	469
Dia. without insulation	ØD₁ [mm]	480	480	480	480	480	600
Dia. with insulation	ØD₂ [mm]	595	595	595	595	595	700
Tilting height	Ak [mm]	---	1 149	---	1 382	1 862	2 015
Total height	A [mm]	980	1 060	1 230	1 310	1 810	1 950
	B [mm]	805	885	1 055	1 135	1 635	1 700
	C [mm]	705	785	955	1 035	1 535	1 600
	D [mm]	605	685	835	915	1 415	1 480
	E [mm]	545	625	775	855	1 355	1 420
	F [mm]	445	525	555	635	935	1 000
	G [mm]	325	405	325	405	405	470
	H [mm]	205	285	205	285	285	350
	I [mm]	155	235	155	235	235	300
	J [mm]	500	---	600	---	---	---
	K [mm]	255	---	295	---	---	---
Net weight	m [kg]	39	39	47	47	61	99